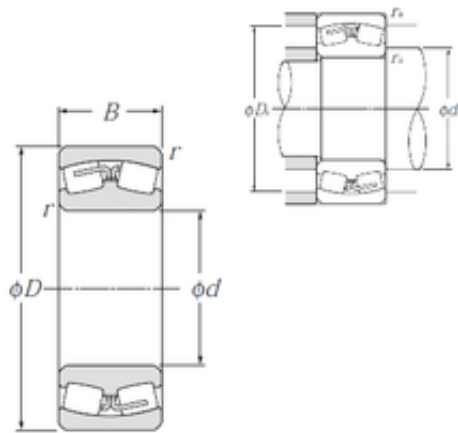




# BEARING USA CORP.

## 900 mm x 1 180 mm x 206 mm NTN 239/900 Spherical Roller Bearings



Bearing No. 239/900

Size	900x1180x206 mm
Bore Diameter	900 mm
Outer Diameter	1180 mm
Width	206 mm
d	900 mm
D	1 180 mm
B	206 mm
C	206 mm
r min.	6 mm
da min.	928 mm
Da max.	1 152 mm
ra max.	5 mm
Weight	623 Kg
Basic dynamic load rating (C)	6 650 kN
Basic static load rating (C0)	17 300 kN
(Grease) Lubrication Speed	210 r/min
(Oil) Lubrication Speed	270 r/min
Calculation factor (e)	0,16
Calculation factor (Y0)	4,23
Calculation factor (Y1)	4,32

239/900 Bearing 2D drawings and 3D CAD models