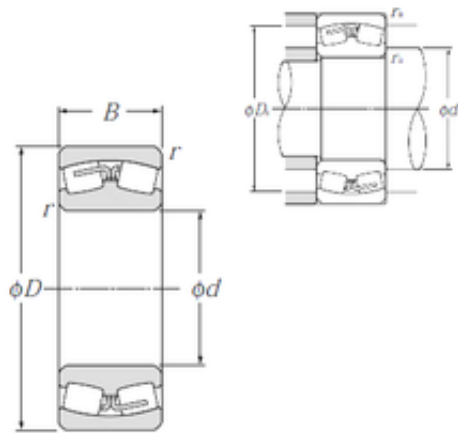




BEARING USA CORP.

750 mm x 1 000 mm x 185 mm NTN 239/750 Spherical Roller Bearings



Bearing No. 239/750

Size	750x1000x185 mm
Bore Diameter	750 mm
Outer Diameter	1000 mm
Width	185 mm
d	750 mm
D	1 000 mm
B	185 mm
C	185 mm
r min.	6 mm
da min.	778 mm
Da max.	972 mm
ra max.	5 mm
Weight	412 Kg
Basic dynamic load rating (C)	5 000 kN
Basic static load rating (C0)	13 000 kN
(Grease) Lubrication Speed	260 r/min
(Oil) Lubrication Speed	340 r/min
Calculation factor (e)	0,17
Calculation factor (Y0)	3,81
Calculation factor (Y1)	3,9

239/750 Bearing 2D drawings and 3D CAD models