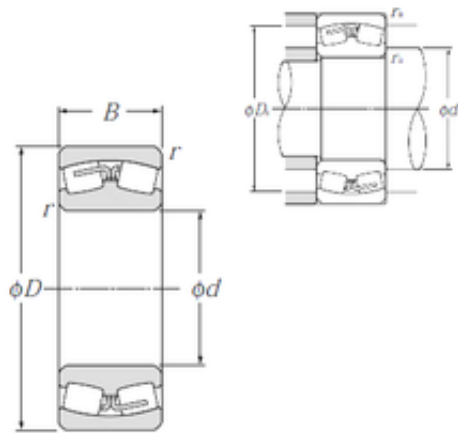




BEARING USA CORP.

600 mm x 980 mm x 300 mm NTN 231/600B Spherical Roller Bearings



Bearing No. 231/600B

Size	600x980x300 mm
Bore Diameter	600 mm
Outer Diameter	980 mm
Width	300 mm
d	600 mm
D	980 mm
B	300 mm
C	300 mm
r min.	7,5 mm
da min.	636 mm
Da max.	944 mm
ra max.	6 mm
Weight	908 Kg
Basic dynamic load rating (C)	9 000 kN
Basic static load rating (C0)	18 400 kN
(Grease) Lubrication Speed	260 r/min
(Oil) Lubrication Speed	340 r/min
Calculation factor (e)	0,3
Calculation factor (Y0)	2,17
Calculation factor (Y1)	2,22

231/600B Bearing 2D drawings and 3D CAD models