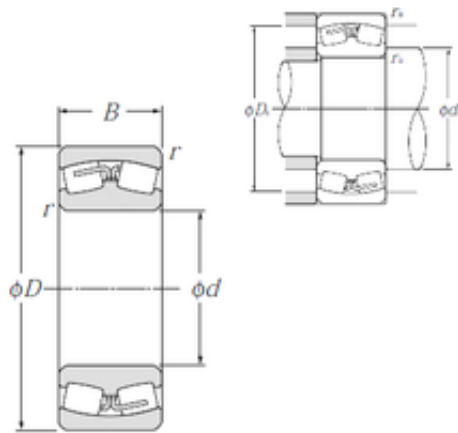




BEARING USA CORP.

340 mm x 520 mm x 133 mm NTN 23068B Spherical Roller Bearings



Bearing No. 23068B

23068B Bearing 2D drawings and 3D CAD models

| | |
|-------------------------------|----------------|
| Size | 340x520x133 mm |
| Bore Diameter | 340 mm |
| Outer Diameter | 520 mm |
| Width | 133 mm |
| d | 340 mm |
| D | 520 mm |
| B | 133 mm |
| C | 133 mm |
| r min. | 5 mm |
| da min. | 362 mm |
| Da max. | 498 mm |
| ra max. | 4 mm |
| Weight | 104 Kg |
| Basic dynamic load rating (C) | 2 310 kN |
| Basic static load rating (C0) | 4 550 kN |
| (Grease) Lubrication Speed | 630 r/min |
| (Oil) Lubrication Speed | 820 r/min |
| Calculation factor (e) | 0,25 |
| Calculation factor (Y0) | 2,62 |
| Calculation factor (Y1) | 2,68 |
| Category | Bearings |
| Inventory | 0.0 |
| Manufacturer Name | NTN |
| Minimum Buy Quantity | N/A |
| Weight / Kilogram | 104 |



BEARING USA CORP.

| | |
|---------------|--------|
| Product Group | B04311 |
|---------------|--------|