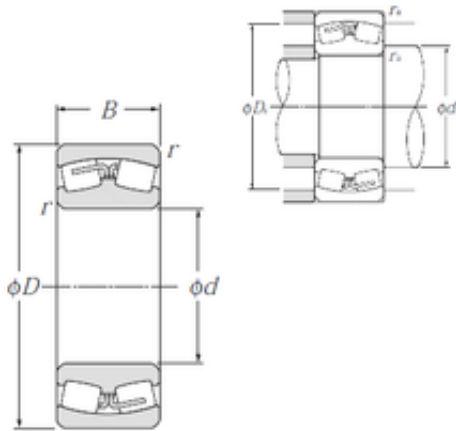




BEARING USA CORP.

240 mm x 440 mm x 120 mm NTN 22248B Spherical Roller Bearings



Bearing No. 22248B

22248B Bearing 2D drawings and 3D CAD models

| | |
|-------------------------------|----------------|
| Size | 240x440x120 mm |
| Bore Diameter | 240 mm |
| Outer Diameter | 440 mm |
| Width | 120 mm |
| d | 240 mm |
| D | 440 mm |
| B | 120 mm |
| C | 120 mm |
| r min. | 4 mm |
| da min. | 258 mm |
| Da max. | 422 mm |
| ra max. | 3 mm |
| Weight | 81,7 Kg |
| Basic dynamic load rating (C) | 1 940 kN |
| Basic static load rating (C0) | 3 100 kN |
| (Grease) Lubrication Speed | 920 r/min |
| (Oil) Lubrication Speed | 1 200 r/min |
| Calculation factor (e) | 0,28 |
| Calculation factor (Y0) | 2,38 |
| Calculation factor (Y1) | 2,43 |
| Category | Bearings |
| Inventory | 0.0 |
| Manufacturer Name | NTN |
| Minimum Buy Quantity | N/A |
| Weight / Kilogram | 88 |



BEARING USA CORP.

| | |
|---------------|--------|
| Product Group | B04311 |
|---------------|--------|